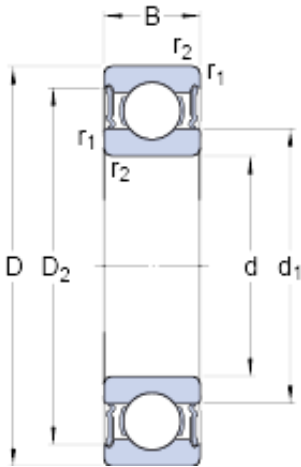




NTN-SNR BEARING RULMENTI S.R.L.



45 mm x 100 mm x 25 mm skf 6309-2RS1 Deep groove ball bearings

Bearing No. 6309-2RS1

6309-2RS1 Bearing 2D drawings and 3D CAD models

Size	100x45x25 mm
Bore Diameter	100 mm
Outer Diameter	45 mm
Width	25 mm
d	45 mm
D	100 mm
B	25 mm
d ₁	62.18 mm
D ₂	86.7 mm
r _{1,2} - min.	1.5 mm
d _a - min.	54 mm
d _a - max.	62.1 mm
D _a - max.	91 mm
r _a - max.	1.5 mm
Basic dynamic load rating - C	55.3 kN
Basic static load rating - C ₀	31.5 kN
Fatigue load limit - P _u	1.3 kN
Limiting speed	4500 r/min
Calculation factor - k _r	0.03
Calculation factor - f ₀	13
Category	Single Row Ball Bearings
Inventory	0.0
Manufacturer Name	SKF
Minimum Buy Quantity	N/A



NTN-SNR BEARING RULMENTI S.R.L.

Weight / Kilogram	0.866
EAN	7316574600403
Product Group	B00308
Enclosure	2 Seals
Precision Class	ABEC 1 ISO P0
Maximum Capacity / Filling Slot	No
Rolling Element	Ball Bearing
Snap Ring	No
Internal Special Features	No
Cage Material	Steel
Enclosure Type	Contact Seal
Internal Clearance	C0-Medium
Inch - Metric	Metric
Long Description	45MM Bore; 100MM Outside Diameter; 25MM Outer Race Diameter; 2 Seals; Ball Bearing; ABEC 1 ISO P0; No Filling Slot; No Snap Ring; No Internal Special Features
Category	Single Row Ball Bearing
UNSPSC	31171504
Harmonized Tariff Code	8482.10.50.68
Noun	Bearing
Keyword String	Ball
Manufacturer URL	http://www.skf.com
Manufacturer Item Number	6309-2RS1
Weight / LBS	1.92
Outside Diameter	3.937 Inch 100 Millimeter
Outer Race Width	0.984 Inch 25 Millimeter
Bore	1.772 Inch 45 Millimeter
d ₁	62.18 mm
D ₂	86.7 mm



NTN-SNR BEARING RULMENTI S.R.L.

$r_{1,2}$ min.	1.5 mm
d_a min.	54 mm
d_a max.	62.1 mm
D_a max.	91 mm
r_a max.	1.5 mm
Basic dynamic load rating C	55.3 kN
Basic static load rating C_0	31.5 kN
Fatigue load limit P_u	1.34 kN
Calculation factor k_r	0.03
Calculation factor f_0	13
Mass bearing	0.86 kg