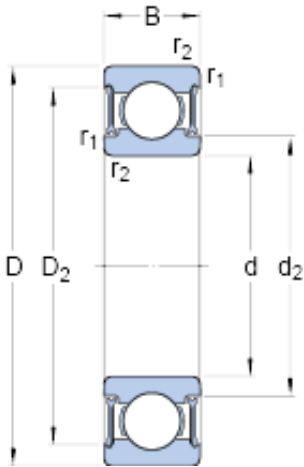




NTN-SNR BEARING RULMENTI S.R.L.



W 6001-2RZ Bearing 2D drawings and 3D CAD models

12 mm x 28 mm x 8 mm skf W 6001-2RZ Deep groove ball bearings

Bearing No. W 6001-2RZ

| | |
|---|-------------|
| Size | 28x12x8 mm |
| Bore Diameter | 28 mm |
| Outer Diameter | 12 mm |
| Width | 8 mm |
| d | 12 mm |
| D | 28 mm |
| B | 8 mm |
| d ₂ | 16 mm |
| D ₂ | 25.15 mm |
| r _{1,2} - min. | 0.3 mm |
| D _a - max. | 26 mm |
| r _a - max. | 0.3 mm |
| Basic dynamic load rating - C | 4.4 kN |
| Basic static load rating - C ₀ | 2.4 kN |
| Fatigue load limit - P _u | 0.102 kN |
| Reference speed | 60000 r/min |
| Limiting speed | 30000 r/min |
| Calculation factor - k _r | 0.03 |
| Calculation factor - f ₀ | 13.2 |
| d ₂ | 16 mm |
| D ₂ | 25.15 mm |
| r _{1,2} min. | 0.3 mm |
| d _a min. | 14 mm |
| d _a max. | 15.5 mm |



NTN-SNR BEARING RULMENTI S.R.L.

| | |
|--------------------------------|----------|
| D_a max. | 26 mm |
| r_a max. | 0.3 mm |
| Basic dynamic load rating C | 4.42 kN |
| Basic static load rating C_0 | 2.36 kN |
| Fatigue load limit P_u | 0.102 kN |
| Calculation factor k_r | 0.03 |
| Calculation factor f_0 | 13.2 |
| Mass bearing | 0.02 kg |