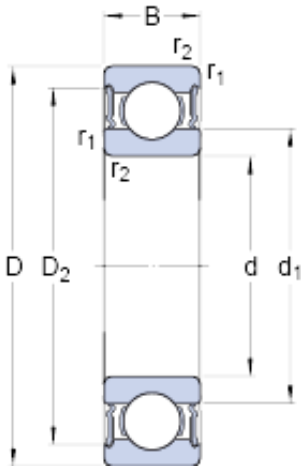




NTN-SNR BEARING RULMENTI S.R.L.



25 mm x 52 mm x 15 mm skf W 6205-2RS1
Deep groove ball bearings

Bearing No. W 6205-2RS1

W 6205-2RS1 Bearing 2D drawings and 3D CAD models

Size	52x25x15 mm
Bore Diameter	52 mm
Outer Diameter	25 mm
Width	15 mm
d	25 mm
D	52 mm
B	15 mm
d ₁	34 mm
D ₂	45.7 mm
r _{1,2} - min.	1 mm
d _a - min.	30 mm
d _a - max.	33.5 mm
D _a - max.	47 mm
r _a - max.	1 mm
Basic dynamic load rating - C	11.7 kN
Basic static load rating - C ₀	7.6 kN
Fatigue load limit - P _u	0.335 kN
Limiting speed	8500 r/min
Calculation factor - k _r	0.03
Calculation factor - f ₀	13.8
Category	Single Row Ball Bearings
Inventory	0.0
Manufacturer Name	SKF
Minimum Buy Quantity	N/A



NTN-SNR BEARING RULMENTI S.R.L.

Weight / Kilogram	0.125
EAN	7316570369465
Product Group	B00308
Enclosure	2 Seals
Precision Class	ABEC 1 ISO P0
Maximum Capacity / Filling Slot	No
Rolling Element	Ball Bearing
Snap Ring	No
Internal Special Features	No
Cage Material	Stainless Steel
Enclosure Type	Contact Seal
Internal Clearance	C0-Medium
Inch - Metric	Metric
Long Description	25MM Bore; 52MM Outside Diameter; 15MM Outer Race Width; 2 Seals; Ball Bearing; ABEC 1 ISO P0; No Filling Slot; No Snap Ring; No Internal Special Features; C0-Medium Internal Clearance; Stainless St
Other Features	Deep Groove NBR Seal
Category	Single Row Ball Bearing
UNSPSC	31171504
Harmonized Tariff Code	8482.10.50.68
Noun	Bearing
Keyword String	Ball
Manufacturer URL	http://www.skf.com
Manufacturer Item Number	W 6205-2RS1
Weight / LBS	0.291
Bore	0.984 Inch 25 Millimeter
Inner Race Width	0 Inch 0 Millimeter
Outside Diameter	2.047 Inch 52 Millimeter



NTN-SNR BEARING RULMENTI S.R.L.

Outer Race Width	0.591 Inch 15 Millimeter
d_1	34 mm
D_2	45.72 mm
$r_{1,2}$ min.	1 mm
d_a min.	30 mm
d_a max.	33.5 mm
D_a max.	47 mm
r_a max.	1 mm
Basic dynamic load rating C	11.7 kN
Basic static load rating C_0	7.65 kN
Fatigue load limit P_u	0.335 kN
Calculation factor k_r	0.03
Calculation factor f_0	13.8
Mass bearing	0.13 kg