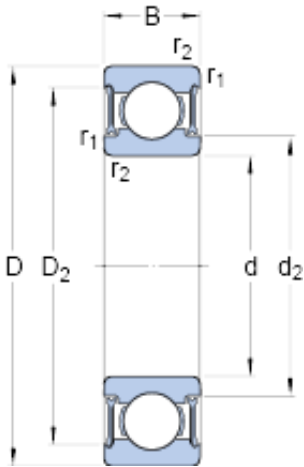




## NTN-SNR BEARING RULMENTI S.R.L.



20 mm x 32 mm x 7 mm skf W 61804-2RZ Deep groove ball bearings

Bearing No. W 61804-2RZ

W 61804-2RZ Bearing 2D drawings and 3D CAD models

Size	32x20x7 mm
Bore Diameter	32 mm
Outer Diameter	20 mm
Width	7 mm
d	20 mm
D	32 mm
B	7 mm
d <sub>2</sub>	22.6 mm
D <sub>2</sub>	29.52 mm
r <sub>1,2</sub> - min.	0.3 mm
D <sub>a</sub> - max.	30 mm
r <sub>a</sub> - max.	0.3 mm
Basic dynamic load rating - C	3.1 kN
Basic static load rating - C <sub>0</sub>	2.1 kN
Fatigue load limit - P <sub>u</sub>	0.09 kN
Reference speed	48000 r/min
Limiting speed	24000 r/min
Calculation factor - k <sub>r</sub>	0.02
Calculation factor - f <sub>0</sub>	13.3
d <sub>2</sub>	22.6 mm
D <sub>2</sub>	29.52 mm
r <sub>1,2</sub> min.	0.3 mm
d <sub>a</sub> min.	22 mm
d <sub>a</sub> max.	22.5 mm



## NTN-SNR BEARING RULMENTI S.R.L.

$D_a$ max.	30 mm
$r_a$ max.	0.3 mm
Basic dynamic load rating C	3.12 kN
Basic static load rating $C_0$	2.08 kN
Fatigue load limit $P_u$	0.09 kN
Calculation factor $k_r$	0.02
Calculation factor $f_0$	13.3
Mass bearing	0.017 kg