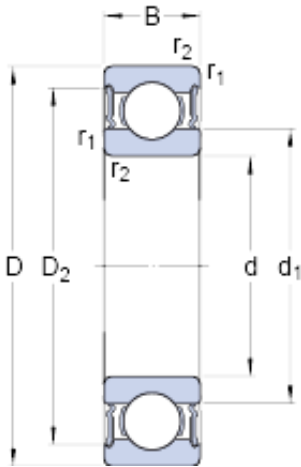




# NTN-SNR BEARING RULMENTI S.R.L.



95 mm x 120 mm x 13 mm skf 61819-2RS1  
Deep groove ball bearings

Bearing No. 61819-2RS1

61819-2RS1 Bearing 2D drawings and 3D CAD models

Size	120x95x13 mm
Bore Diameter	120 mm
Outer Diameter	95 mm
Width	13 mm
d	95 mm
D	120 mm
B	13 mm
d <sub>1</sub>	103.3 mm
D <sub>2</sub>	114.3 mm
r <sub>1,2</sub> - min.	1 mm
d <sub>a</sub> - min.	99.6 mm
d <sub>a</sub> - max.	102.9 mm
D <sub>a</sub> - max.	115 mm
r <sub>a</sub> - max.	1 mm
Basic dynamic load rating - C	19.9 kN
Basic static load rating - C <sub>0</sub>	17.6 kN
Fatigue load limit - P <sub>u</sub>	0.93 kN
Limiting speed	3000 r/min
Calculation factor - k <sub>r</sub>	0.015
Calculation factor - f <sub>0</sub>	13.3
Category	Bearings
Inventory	0.0
Manufacturer Name	SKF
Minimum Buy Quantity	N/A



## NTN-SNR BEARING RULMENTI S.R.L.

Weight / Kilogram	0.305
Product Group	B00308
$d_1$	103.3 mm
$D_2$	114.3 mm
$r_{1,2}$ min.	1 mm
$d_a$ min.	99.6 mm
$d_a$ max.	102.9 mm
$D_a$ max.	115 mm
$r_a$ max.	1 mm
Basic dynamic load rating C	19.9 kN
Basic static load rating $C_0$	17.6 kN
Fatigue load limit $P_u$	0.93 kN
Calculation factor $k_f$	0.015
Calculation factor $f_0$	13.3
Mass bearing	0.3 kg