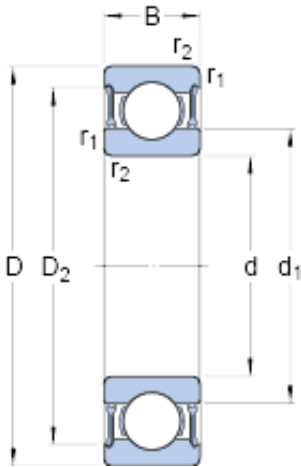




# NTN-SNR BEARING RULMENTI S.R.L.



60 mm x 85 mm x 13 mm skf 61912-2RZ Deep groove ball bearings

Bearing No. 61912-2RZ

61912-2RZ Bearing 2D drawings and 3D CAD models

Size	85x60x13 mm
Bore Diameter	85 mm
Outer Diameter	60 mm
Width	13 mm
d	60 mm
D	85 mm
B	13 mm
d <sub>1</sub>	68.3 mm
D <sub>2</sub>	78.7 mm
r <sub>1,2</sub> - min.	1 mm
d <sub>a</sub> - min.	64.6 mm
d <sub>a</sub> - max.	68.1 mm
D <sub>a</sub> - max.	80.4 mm
r <sub>a</sub> - max.	1 mm
Basic dynamic load rating - C	16.5 kN
Basic static load rating - C <sub>0</sub>	14.3 kN
Fatigue load limit - P <sub>u</sub>	0.6 kN
Reference speed	16000 r/min
Limiting speed	8000 r/min
Calculation factor - k <sub>r</sub>	0.02
Calculation factor - f <sub>0</sub>	16.4
d <sub>1</sub>	68.3 mm
D <sub>2</sub>	78.7 mm
r <sub>1,2</sub> min.	1 mm



## NTN-SNR BEARING RULMENTI S.R.L.

$d_a$ min.	64.6 mm
$d_a$ max.	68.1 mm
$D_a$ max.	80.4 mm
$r_a$ max.	1 mm
Basic dynamic load rating C	16.5 kN
Basic static load rating $C_0$	14.3 kN
Fatigue load limit $P_u$	0.6 kN
Calculation factor $k_r$	0.02
Calculation factor $f_0$	16.4
Mass bearing	0.2 kg