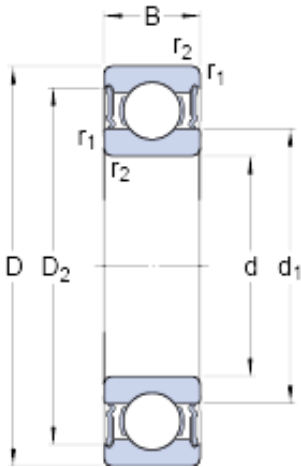




NTN-SNR BEARING RULMENTI S.R.L.



105 mm x 160 mm x 26 mm skf 6021-2RS1
Deep groove ball bearings

Bearing No. 6021-2RS1

6021-2RS1 Bearing 2D drawings and 3D CAD models

Size	160x105x26 mm
Bore Diameter	160 mm
Outer Diameter	105 mm
Width	26 mm
d	105 mm
D	160 mm
B	26 mm
d ₁	122.5 mm
D ₂	146.8 mm
r _{1,2} - min.	2 mm
d _a - min.	116 mm
d _a - max.	122 mm
D _a - max.	149 mm
r _a - max.	2 mm
Basic dynamic load rating - C	76.1 kN
Basic static load rating - C ₀	65.5 kN
Fatigue load limit - P _u	2.4 kN
Limiting speed	2400 r/min
Calculation factor - k _r	0.025
Calculation factor - f ₀	15.8
Category	Single Row Ball Bearings
Inventory	0.0
Manufacturer Name	SKF
Minimum Buy Quantity	N/A



NTN-SNR BEARING RULMENTI S.R.L.

Weight / Kilogram	1.63
EAN	7316577101082
Product Group	B00308
Enclosure	2 Seals
Precision Class	ABEC 1 ISO P0
Maximum Capacity / Filling Slot	No
Rolling Element	Ball Bearing
Snap Ring	No
Internal Special Features	No
Cage Material	Steel
Enclosure Type	Contact Seal
Internal Clearance	C0-Medium
Inch - Metric	Metric
Long Description	105MM Bore; 160MM Outside Diameter; 26MM Outer Race Diameter; 2 Seals; Ball Bearing; ABEC 1 ISO P0; No Filling Slot; No Snap Ring; No Internal Special Features
Category	Single Row Ball Bearing
UNSPSC	31171504
Harmonized Tariff Code	8482.10.50.68
Noun	Bearing
Keyword String	Ball
Manufacturer URL	http://www.skf.com
Manufacturer Item Number	6021-2RS1
Weight / LBS	3.59
Outer Race Width	1.024 Inch 26 Millimeter
Bore	4.134 Inch 105 Millimeter
Outside Diameter	6.299 Inch 160 Millimeter
bore diameter:	105 mm
static load capacity:	65.5 kN



NTN-SNR BEARING RULMENTI S.R.L.

outside diameter:	160 mm
precision rating:	ABEC 1 (ISO Class Normal)
overall width:	26 mm
finish/coating:	Uncoated
bore type:	Round
cage material:	Steel
closure type:	Double Sealed
outer ring width:	26 mm
row type & fill slot:	Single Row Non-Fill Slot
fillet radius:	2 mm
internal clearance:	C0
maximum rpm:	2400 RPM
operating temperature range:	-40 to +210 ° F
series:	60
dynamic load capacity:	76.1 kN
d_1	122.5 mm
D_2	146.8 mm
$r_{1,2}$ min.	2 mm
d_a min.	116 mm
d_a max.	122 mm
D_a max.	149 mm
r_a max.	2 mm
Basic dynamic load rating C	76.1 kN
Basic static load rating C_0	65.5 kN
Fatigue load limit P_u	2.4 kN
Calculation factor k_r	0.025
Calculation factor f_0	15.8
Mass bearing	1.64 kg