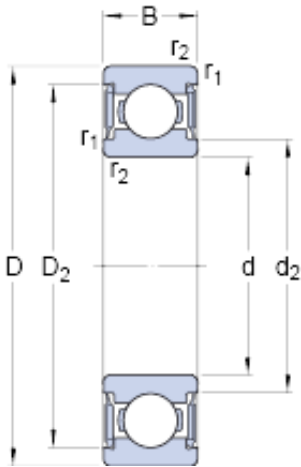




NTN-SNR BEARING RULMENTI S.R.L.



17 mm x 26 mm x 7 mm skf W 63803-2RS1
Deep groove ball bearings

Bearing No. W 63803-2RS1

W 63803-2RS1 Bearing 2D drawings and 3D CAD models

Size	26x17x7 mm
Bore Diameter	26 mm
Outer Diameter	17 mm
Width	7 mm
d	17 mm
D	26 mm
B	7 mm
d ₂	18.8 mm
D ₂	24.15 mm
r _{1,2} - min.	0.3 mm
d _a - min.	18.5 mm
d _a - max.	18.5 mm
D _a - max.	24.5 mm
r _a - max.	0.3 mm
Basic dynamic load rating - C	1.8 kN
Basic static load rating - C ₀	1.3 kN
Fatigue load limit - P _u	0.054 kN
Limiting speed	16000 r/min
Calculation factor - k _r	0.02
Calculation factor - f ₀	14.1
d ₂	18.8 mm
D ₂	24.15 mm
r _{1,2} min.	0.3 mm
d _a min.	18.5 mm



NTN-SNR BEARING RULMENTI S.R.L.

d_a max.	18.5 mm
D_a max.	24.5 mm
r_a max.	0.3 mm
Basic dynamic load rating C	1.78 kN
Basic static load rating C_0	1.27 kN
Fatigue load limit P_u	0.054 kN
Calculation factor k_r	0.02
Calculation factor f_0	14.1
Mass bearing	0.011 kg