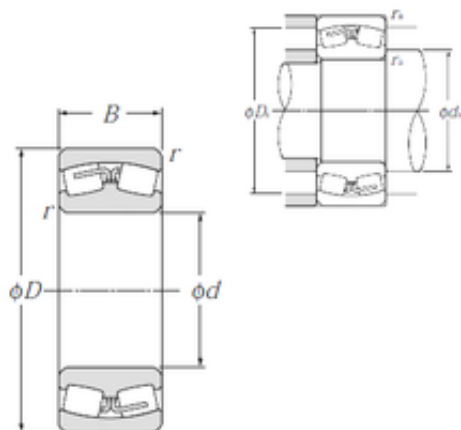




NTN-SNR BEARING RULMENTI S.R.L.

340 mm x 580 mm x 243 mm NTN 24168B Double row spherical roller bearings



Bearing No. 24168B

24168B Bearing 2D drawings and 3D CAD models

Size	340x580x243 mm
Bore Diameter	340 mm
Outer Diameter	580 mm
Width	243 mm
d	340 mm
D	580 mm
B	243 mm
C	243 mm
r min.	5 mm
da min.	362 mm
Da max.	558 mm
ra max.	4 mm
Weight	269 Kg
Basic dynamic load rating (C)	4 600 kN
Basic static load rating (C0)	8 950 kN
(Grease) Lubrication Speed	520 r/min
(Oil) Lubrication Speed	680 r/min
Calculation factor (e)	0,42
Calculation factor (Y0)	1,57
Calculation factor (Y1)	1,61
rs min	5 mm
Number of lubrication holes	8
b	33 mm
k	20 mm
e	0.42



NTN-SNR BEARING RULMENTI S.R.L.

Y1	1.61
Y2	2.39
Y0	1.57
Radial clearance class	CN
Dynamic load, C	4,600 kN
Static load, C0	8,950 kN
Fatigue limit load, Cu	642 kN
Nref	360 rpm
Nlim	900 rpm
Min operating temperature, Tmin	-40 ° C
Max operating temperature, Tmax	120 ° C
Characteristic cage frequency, FTF	0.44 Hz
Characteristic rolling element frequency, BSF	7.59 Hz
Characteristic outer ring frequency, BPF0	9.19 Hz
Characteristic inner ring frequency, BPF1	11.81 Hz
da min	360 mm
Da max	560 mm
ra max	4 mm
Category	Bearings
Inventory	0.0
Manufacturer Name	NTN
Minimum Buy Quantity	N/A
Weight / Kilogram	269
Product Group	B04311