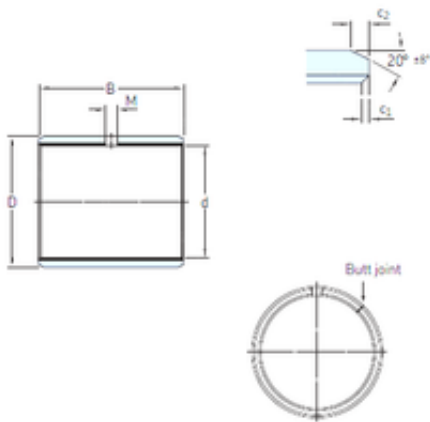




NTN-SNR BEARING RULMENTI S.R.L.

180 mm x 185 mm x 80 mm skf PCM 18018580
E Plain bearings, Bushings



Bearing No. PCM 18018580 E

Size	180x185x80 mm
Bore Diameter	180 mm
Outer Diameter	185 mm
Width	80 mm
d	180 mm
D	185 mm
B	80 mm
c1 min	0,2 mm
c2 min	1,2 mm
M	– mm
Weight	0,87 Kg
Basic dynamic load rating (C)	1 140 kN
c ₁ min.	0.2 mm
c ₁ max.	1 mm
c ₂ min.	1.2 mm
c ₂ max.	2.4 mm
± 8	20 °
Tolerance shaft	h8
Tolerance housing	H7
Basic dynamic load rating - radial direction C	1140 kN
Basic static load rating - radial direction C ₀	3550 kN
Specific dynamic load factor K	80 N/mm ²
Specific static load factor K ₀	250 N/mm ²

PCM 18018580 E Bearing 2D drawings and 3D CAD models



NTN-SNR BEARING RULMENTI S.R.L.

Factor depending on material and bearing type K_M	480
Permissible sliding velocity v min.	0 m/s
Permissible sliding velocity v max.	2 m/s
Coefficient of friction μ min.	0.03
Coefficient of friction μ max.	0.25
Mass bushing	0.87 kg