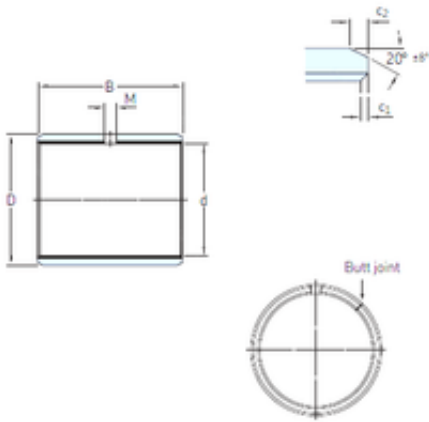




NTN-SNR BEARING RULMENTI S.R.L.



10 mm x 12 mm x 20 mm skf PCM 101220 E
Plain bearings, Bushings

Bearing No. PCM 101220 E

PCM 101220 E Bearing 2D drawings and 3D CAD models

Size	10x12x20 mm
Bore Diameter	10 mm
Outer Diameter	12 mm
Width	20 mm
d	10 mm
D	12 mm
B	20 mm
c1 min	0,1 mm
c2 min	0,2 mm
M	– mm
Weight	0,0051 Kg
Basic dynamic load rating (C)	16 kN
Category	Plain Bearings
Inventory	0.0
Manufacturer Name	SKF
Minimum Buy Quantity	N/A
Weight / Kilogram	0.283
EAN	7316571851600
Product Group	B04264
c ₁ min.	0.1 mm
c ₁ max.	0.6 mm
c ₂ min.	0.2 mm
c ₂ max.	1 mm
± 8	20 °
Tolerance shaft	f7



NTN-SNR BEARING RULMENTI S.R.L.

Tolerance housing	H7
Basic dynamic load rating - radial direction C	16 kN
Basic static load rating - radial direction C_0	50 kN
Specific dynamic load factor K	80 N/mm ²
Specific static load factor K_0	250 N/mm ²
Factor depending on material and bearing type K_M	480
Permissible sliding velocity v min.	0 m/s
Permissible sliding velocity v max.	2 m/s
Coefficient of friction μ min.	0.03
Coefficient of friction μ max.	0.25
Mass bushing	0.0051 kg