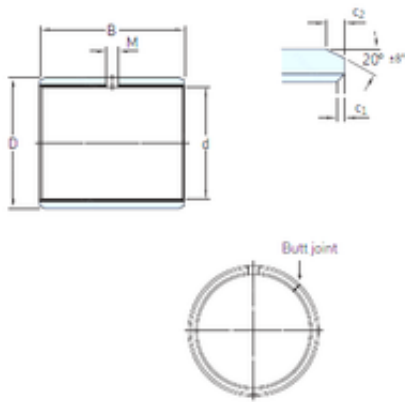




# NTN-SNR BEARING RULMENTI S.R.L.



69,85 mm x 74,613 mm x 63,5 mm skf PCZ 4440  
M Plain bearings, Bushings

Bearing No. PCZ 4440 M

PCZ 4440 M Bearing 2D drawings and 3D CAD models

Size	69.85x74.613x63.5 mm
Bore Diameter	69,85 mm
Outer Diameter	74,613 mm
Width	63,5 mm
d	69,85 mm
D	74,613 mm
B	63,5 mm
c1 min	0,2 mm
c2 min	1,2 mm
M	6 mm
Weight	0,235 Kg
Basic dynamic load rating (C)	530 kN
c <sub>1</sub> min.	0.2 mm
c <sub>1</sub> max.	1 mm
c <sub>2</sub> min.	1.2 mm
c <sub>2</sub> max.	2.4 mm
± 8	20 °
Shaft diameter range min.	69.426 mm
Shaft diameter range max.	69.472 mm
Housing bore range min.	74.612 mm
Housing bore range max.	74.643 mm
Basic dynamic load rating - radial direction C	530 kN
Basic static load rating - radial direction C <sub>0</sub>	1100 kN



## NTN-SNR BEARING RULMENTI S.R.L.

Specific dynamic load factor K	120 N/mm <sup>2</sup>
Specific static load factor K <sub>0</sub>	250 N/mm <sup>2</sup>
Factor depending on material and bearing type K <sub>M</sub>	1900
Permissible sliding velocity v min.	0 m/s
Permissible sliding velocity v max.	2.5 m/s
Coefficient of friction $\mu$ min.	0.02
Coefficient of friction $\mu$ max.	0.2
Mass bushing	0.23 kg