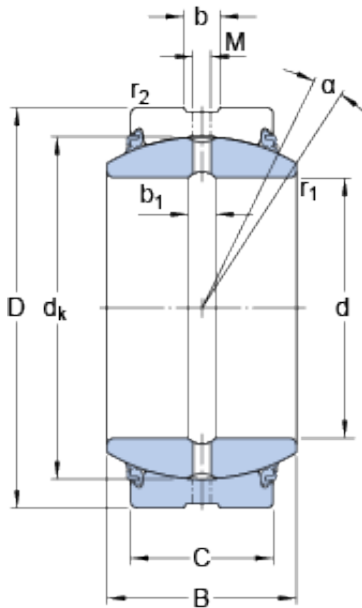




NTN-SNR BEARING RULMENTI S.R.L.



GE 60 ES-2LS Bearing 2D drawings and 3D CAD models

60 mm x 90 mm x 44 mm skf GE 60 ES-2LS
Radial spherical plain bearings

Bearing No. GE 60 ES-2LS

Size	90x60x44 mm
Bore Diameter	90 mm
Outer Diameter	60 mm
Width	44 mm
d	60 mm
D	90 mm
B	44 mm
C	36 mm
	6 °
d _k	80 mm
b	6.2 mm
b ₁	6.2 mm
M	4 mm
r ₁ - min.	1 mm
r ₂ - min.	1 mm
d _a - min.	66.4 mm
d _a - max.	66.8 mm
D _a - min.	79.7 mm
D _a - max.	84.2 mm
r _a - max.	1 mm
r _b - max.	1 mm
Basic dynamic load rating - C	245 kN
Basic static load rating - C ₀	1220 kN
Specific factor dinamic load - K	100 N/mm ²



NTN-SNR BEARING RULMENTI S.R.L.

Specific factor static load - K_0	500 N/mm ²
Constant - K_M	330
Category	Bearings
Inventory	0.0
Manufacturer Name	SKF
Minimum Buy Quantity	N/A
UNSPSC	31171515
Weight / Kilogram	0
Product Group	B04264
Lubricant	Regular relubrication – grease
Design (sliding contact surface combination)	Steel/steel
Sealing solution	Triple-lip seals
	6 °
d_k	80 mm
b_1	6.2 mm
r_1 min.	1 mm
r_2 min.	1 mm
d_a min.	66.4 mm
d_a max.	66.8 mm
D_a min.	79.7 mm
D_a max.	84.2 mm
r_a max.	1 mm
r_b max.	1 mm
Basic dynamic load rating C	245 kN
Basic static load rating C_0	1220 kN
Specific dynamic load factor K	100 N/mm ²
Specific static load factor K_0	500 N/mm ²
Material constant K_M	330
Mass plain bearing	1.1 kg



NTN-SNR BEARING RULMENTI S.R.L.