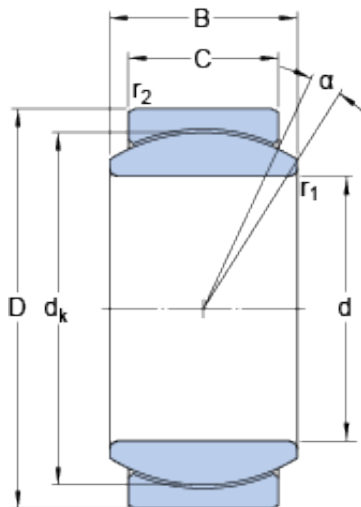




## NTN-SNR BEARING RULMENTI S.R.L.



GE 35 CJ2 Bearing 2D drawings and 3D CAD models

35 mm x 55 mm x 25 mm skf GE 35 CJ2 Radial spherical plain bearings

Bearing No. GE 35 CJ2

Size	55x35x25 mm
Bore Diameter	55 mm
Outer Diameter	35 mm
Width	25 mm
d	35 mm
D	55 mm
B	25 mm
C	20 mm
	6 °
dk	47 mm
r <sub>1</sub> - min.	0.6 mm
r <sub>2</sub> - min.	1 mm
d <sub>a</sub> - min.	37.9 mm
d <sub>a</sub> - max.	39.8 mm
D <sub>a</sub> - min.	44.7 mm
D <sub>a</sub> - max.	51.4 mm
r <sub>a</sub> - max.	0.6 mm
r <sub>b</sub> - max.	1 mm
Basic dynamic load rating - C	80 kN
Basic static load rating - C <sub>0</sub>	200 kN
Specific factor dinamic load - K	100 N/mm <sup>2</sup>
Specific factor static load - K <sub>0</sub>	250 N/mm <sup>2</sup>
Constant - K <sub>M</sub>	1400



## NTN-SNR BEARING RULMENTI S.R.L.

Category	Spherical Plain Bearings - Rod Ends
Inventory	0.0
Manufacturer Name	SKF
Minimum Buy Quantity	N/A
Weight / Kilogram	0
Product Group	B04286
Lubricant	Maintenance free – dry lubrication
Design (sliding contact surface combination)	Steel/PTFE sintered bronze
Sealing solution	-
	6 °
$d_k$	47 mm
$r_1$ min.	0.6 mm
$r_2$ min.	1 mm
$d_a$ min.	37.9 mm
$d_a$ max.	39.8 mm
$D_a$ min.	44.7 mm
$D_a$ max.	51.4 mm
$r_a$ max.	0.6 mm
$r_b$ max.	1 mm
Basic dynamic load rating C	80 kN
Basic static load rating $C_0$	200 kN
Specific dynamic load factor K	100 N/mm <sup>2</sup>
Specific static load factor $K_0$	250 N/mm <sup>2</sup>
Material constant $K_M$	1400
Mass plain bearing	0.23 kg