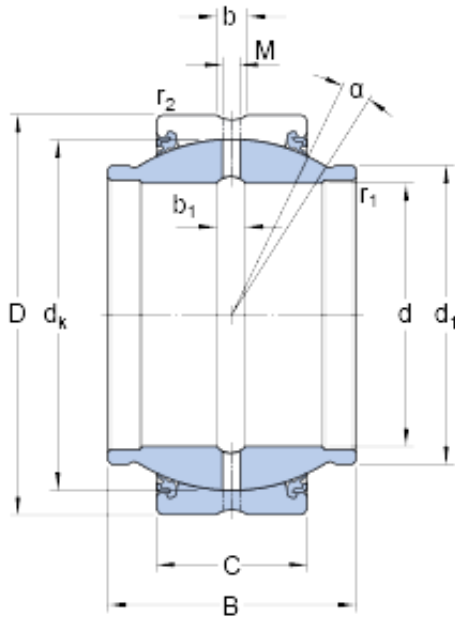




# NTN-SNR BEARING RULMENTI S.R.L.



GEM 30 ESX-2LS Bearing 2D drawings and 3D CAD models

30 mm x 47 mm x 30 mm skf GEM 30 ESX-2LS  
Radial spherical plain bearings

Bearing No. GEM 30 ESX-2LS

Size	47x30x30 mm
Bore Diameter	47 mm
Outer Diameter	30 mm
Width	30 mm
d	30 mm
D	47 mm
B	30 mm
C	18 mm
	4 °
d <sub>k</sub>	40.7 mm
d <sub>1</sub>	34 mm
b	3.1 mm
b <sub>1</sub>	3.1 mm
M	2 mm
r <sub>1</sub> - min.	0.3 mm
r <sub>2</sub> - min.	0.6 mm
d <sub>a</sub> - min.	33.5 mm
d <sub>a</sub> - max.	34 mm
D <sub>a</sub> - min.	41.3 mm
D <sub>a</sub> - max.	44 mm
r <sub>a</sub> - max.	0.3 mm
r <sub>b</sub> - max.	0.6 mm
Basic dynamic load rating - C	93 kN
Basic static load rating - C <sub>0</sub>	310 kN



## NTN-SNR BEARING RULMENTI S.R.L.

Specific factor dynamic load - K	150 N/mm <sup>2</sup>
Specific factor static load - K <sub>0</sub>	500 N/mm <sup>2</sup>
Constant - K <sub>M</sub>	330
Lubricant	Maintenance free – greased for life
Design (sliding contact surface combination)	Steel/steel
Sealing solution	Triple-lip seals
	4 °
d <sub>k</sub>	40.7 mm
d <sub>1</sub>	34 mm
b <sub>1</sub>	3.1 mm
r <sub>1</sub> min.	0.3 mm
r <sub>2</sub> min.	0.6 mm
d <sub>a</sub> min.	33.5 mm
d <sub>a</sub> max.	34 mm
D <sub>a</sub> min.	41.3 mm
D <sub>a</sub> max.	44 mm
r <sub>a</sub> max.	0.3 mm
r <sub>b</sub> max.	0.6 mm
Basic dynamic load rating C	93 kN
Basic static load rating C <sub>0</sub>	310 kN
Specific dynamic load factor K	150 N/mm <sup>2</sup>
Specific static load factor K <sub>0</sub>	500 N/mm <sup>2</sup>
Material constant K <sub>M</sub>	330
Mass plain bearing	0.15 kg