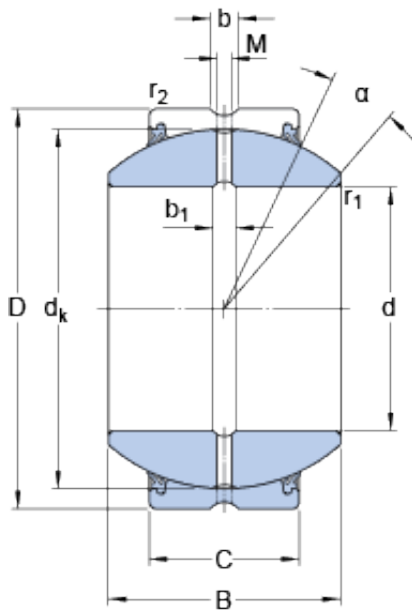




## NTN-SNR BEARING RULMENTI S.R.L.

95.25 mm x 158.75 mm x 94.945 mm skf GEZH  
312 ES-2RS Radial spherical plain bearings

Bearing No. GEZH 312 ES-2RS



GEZH 312 ES-2RS Bearing 2D drawings and 3D CAD models

Size	158.75x95.25x94.945 mm
Bore Diameter	158,75 mm
Outer Diameter	95,25 mm
Width	94,945 mm
d	95.25 mm
D	158.75 mm
B	94.945 mm
C	76.2 mm
	9 °
d <sub>k</sub>	146.05 mm
b	10.5 mm
b <sub>1</sub>	10 mm
M	8 mm
r <sub>1</sub> - min.	2 mm
r <sub>2</sub> - min.	1 mm
d <sub>a</sub> - min.	105.8 mm
d <sub>a</sub> - max.	110.9 mm
D <sub>a</sub> - min.	139.5 mm
D <sub>a</sub> - max.	152.5 mm
r <sub>a</sub> - max.	2 mm
r <sub>b</sub> - max.	1 mm
Basic dynamic load rating - C	900 kN
Basic static load rating - C <sub>0</sub>	2650 kN
Specific factor dinamic load - K	100 N/mm <sup>2</sup>



## NTN-SNR BEARING RULMENTI S.R.L.

Specific factor static load - $K_0$	300 N/mm <sup>2</sup>
Constant - $K_M$	330
Lubricant	Regular relubrication – grease
Design (sliding contact surface combination)	Steel/steel
Sealing solution	Double-lip seals
	9 °
$d_k$	146.05 mm
$b_1$	10 mm
$r_1$ min.	2 mm
$r_2$ min.	1 mm
$d_a$ min.	105.8 mm
$d_a$ max.	110.9 mm
$D_a$ min.	139.5 mm
$D_a$ max.	152.5 mm
$r_a$ max.	2 mm
$r_b$ max.	1 mm
Basic dynamic load rating C	900 kN
Basic static load rating $C_0$	2650 kN
Specific dynamic load factor K	100 N/mm <sup>2</sup>
Specific static load factor $K_0$	300 N/mm <sup>2</sup>
Material constant $K_M$	330
Mass plain bearing	8.1 kg