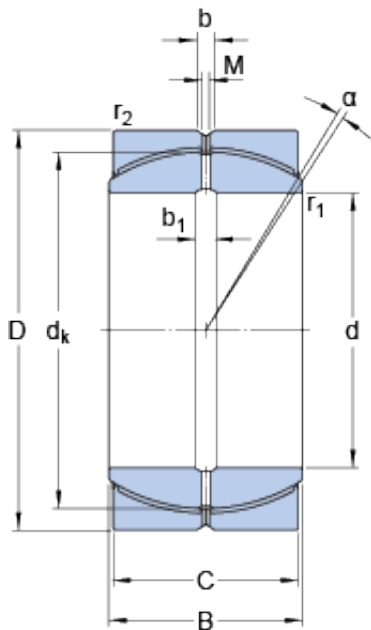




NTN-SNR BEARING RULMENTI S.R.L.



GEP 800 FS Bearing 2D drawings and 3D CAD models

800 mm x 1120 mm x 565 mm skf GEP 800 FS
Radial spherical plain bearings

Bearing No. GEP 800 FS

Size	1120x800x565 mm
Bore Diameter	1120 mm
Outer Diameter	800 mm
Width	565 mm
d	800 mm
D	1120 mm
B	565 mm
C	530 mm
	2 °
d _k	1022 mm
b	35 mm
b ₁	35 mm
M	13 mm
r ₁ - min.	3 mm
r ₂ - min.	6 mm
d _a - min.	836 mm
d _a - max.	851 mm
D _a - min.	951 mm
D _a - max.	1062 mm
r _a - max.	3 mm
r _b - max.	6 mm
Basic dynamic load rating - C	39000 kN
Basic static load rating - C ₀	58500 kN
Specific factor dinamic load - K	80 N/mm ²



NTN-SNR BEARING RULMENTI S.R.L.

Specific factor static load - K_0	120 N/mm ²
Constant - K_M	1055
Size	800x1120x565 mm
Bore Diameter	800 mm
Outer Diameter	1120 mm
Width	565 mm
d	800 mm
D	1120 mm
B	565 mm
C	530 mm
	2 °
d_k	1022 mm
b	35 mm
b_1	35 mm
M	13 mm
r_1 - min.	3 mm
r_2 - min.	6 mm
d_a - min.	836 mm
d_a - max.	851 mm
D_a - min.	951 mm
D_a - max.	1062 mm
r_a - max.	3 mm
r_b - max.	6 mm
Basic dynamic load rating - C	39000 kN
Basic static load rating - C_0	58500 kN
Specific factor dynamic load - K	80 N/mm ²
Specific factor static load - K_0	120 N/mm ²
Constant - K_M	1055



NTN-SNR BEARING RULMENTI S.R.L.

Lubricant	Maintenance free – dry lubrication
Design (sliding contact surface combination)	Steel/PTFE FRP
Sealing solution	-
	2 °
d_k	1022 mm
b_1	35 mm
r_1 min.	3 mm
r_2 min.	6 mm
d_a min.	836 mm
d_a max.	851 mm
D_a min.	951 mm
D_a max.	1062 mm
r_a max.	3 mm
r_b max.	6 mm
Basic dynamic load rating C	39000 kN
Basic static load rating C_0	58500 kN
Specific dynamic load factor K	80 N/mm ²
Specific static load factor K_0	120 N/mm ²
Material constant K_M	1055
Mass plain bearing	1913 kg