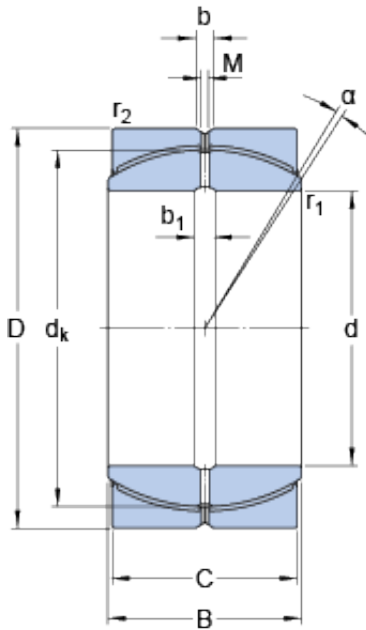




## NTN-SNR BEARING RULMENTI S.R.L.



GEP 240 FS Bearing 2D drawings and 3D CAD models

240 mm x 340 mm x 170 mm skf GEP 240 FS  
Radial spherical plain bearings

Bearing No. GEP 240 FS

Size	340x240x170 mm
Bore Diameter	340 mm
Outer Diameter	240 mm
Width	170 mm
d	240 mm
D	340 mm
B	170 mm
C	162 mm
	2 °
d <sub>k</sub>	310 mm
b	13.5 mm
b <sub>1</sub>	13.5 mm
M	6 mm
r <sub>1</sub> - min.	1.1 mm
r <sub>2</sub> - min.	1.1 mm
d <sub>a</sub> - min.	253 mm
d <sub>a</sub> - max.	259 mm
D <sub>a</sub> - min.	289 mm
D <sub>a</sub> - max.	323 mm
r <sub>a</sub> - max.	1 mm
r <sub>b</sub> - max.	1 mm
Basic dynamic load rating - C	3550 kN
Basic static load rating - C <sub>0</sub>	5400 kN
Specific factor dinamic load - K	80 N/mm <sup>2</sup>



## NTN-SNR BEARING RULMENTI S.R.L.

Specific factor static load - $K_0$	120 N/mm <sup>2</sup>
Constant - $K_M$	1055
Category	Spherical Plain Bearings - Radial
Inventory	0.0
Manufacturer Name	SKF
Minimum Buy Quantity	N/A
Weight / Kilogram	60.7
Product Group	B04264
Self Aligning	Yes
Rolling Element	Spherical Plain
Material - Outer Member	Steel
Material - Ball	Steel
Material - Liner	Plastic   Teflon
Relubricatable	Yes
Enclosure	Open
Other Features	3 Piece   Radially Split Outer Ring   Chrome Plated Ball   Separable   Self Lubricating   Lubrication Hole and Groove in Both Rings
Long Description	240MM Bore; 162MM Housing Width; 340MM Outside Diameter; Spherical Plain; Steel Outer Member; Steel Ball; Plastic   Teflon Liner; 170MM Overall Width; Relubricatable
Inch - Metric	Metric
Category	Plain Bearings Spherical Radial
UNSPSC	31171515
Harmonized Tariff Code	8483.30.80.70
Noun	Bearing
Keyword 3	Spherical



## NTN-SNR BEARING RULMENTI S.R.L.

Keyword String	Plain Spherical Radial
Manufacturer URL	<a href="http://www.skf.com">http://www.skf.com</a>
Manufacturer Item Number	GEP 240 FS
Weight / LBS	118.388
Outside Diameter	13.386 Inch   340 Millimeter
Overall Width	6.693 Inch   170 Millimeter
Bore	9.449 Inch   240 Millimeter
Housing Width	6.378 Inch   162 Millimeter
Lubricant	Maintenance free – dry lubrication
Design (sliding contact surface combination)	Steel/PTFE FRP
Sealing solution	-
	2 °
$d_k$	310 mm
$b_1$	13.5 mm
$r_1$ min.	1.1 mm
$r_2$ min.	1.1 mm
$d_a$ min.	253 mm
$d_a$ max.	259 mm
$D_a$ min.	289 mm
$D_a$ max.	323 mm
$r_a$ max.	1 mm
$r_b$ max.	1 mm
Basic dynamic load rating C	3550 kN
Basic static load rating $C_0$	5400 kN
Specific dynamic load factor K	80 N/mm <sup>2</sup>
Specific static load factor $K_0$	120 N/mm <sup>2</sup>
Material constant $K_M$	1055
Mass plain bearing	53.7 kg