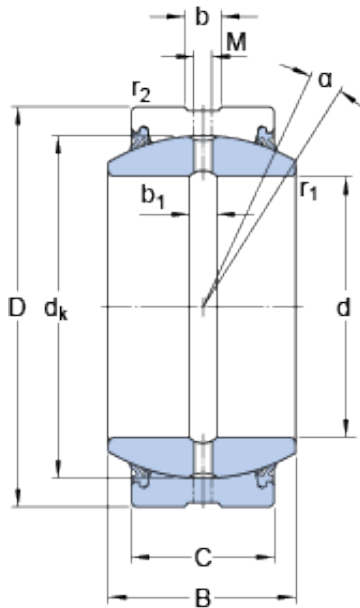




NTN-SNR BEARING RULMENTI S.R.L.



GEZ 200 ES-2RS Bearing 2D drawings and 3D CAD models

50.8 mm x 80.963 mm x 44.45 mm skf GEZ 200 ES-2RS Radial spherical plain bearings

Bearing No. GEZ 200 ES-2RS

Size	80.963x50.8x44.45 mm
Bore Diameter	80,963 mm
Outer Diameter	50,8 mm
Width	44,45 mm
d	50.8 mm
D	80.963 mm
B	44.45 mm
C	38.1 mm
	6 °
d _k	73.025 mm
b	4.8 mm
b ₁	5 mm
M	4 mm
r ₁ - min.	0.6 mm
r ₂ - min.	1 mm
d _a - min.	55.1 mm
d _a - max.	57.9 mm
D _a - min.	72.4 mm
D _a - max.	75.9 mm
r _a - max.	0.6 mm
r _b - max.	1 mm
Basic dynamic load rating - C	224 kN
Basic static load rating - C ₀	670 kN
Specific factor dinamic load - K	100 N/mm ²



NTN-SNR BEARING RULMENTI S.R.L.

Specific factor static load - K_0	300 N/mm ²
Constant - K_M	330
Category	Spherical Plain Bearings - Radial
Inventory	0.0
Manufacturer Name	SKF
Minimum Buy Quantity	N/A
Weight / Kilogram	0.93
Product Group	B04264
Self Aligning	Yes
Rolling Element	Spherical Plain
Material - Outer Member	Steel
Material - Ball	Steel
Material - Liner	Not Applicable
Relubricatable	Yes
Enclosure	2 Seals
Other Features	2 Piece Double Lip Seals Lubrication Hole and an Annular Groove in Both Rings
Long Description	2" Bore; 1.5" Housing Width; 3-3/16" Outside Diameter; Steel Outer Member; Steel Ball; No Liner; 1-3/4" Overall Width; Relubricatable
Inch - Metric	Inch
Category	Plain Bearings Spherical Radial
UNSPSC	31171515
Harmonized Tariff Code	8483.30.80.70
Noun	Bearing
Keyword 3	Spherical
Keyword String	Plain Spherical Radial



NTN-SNR BEARING RULMENTI S.R.L.

Manufacturer URL	http://www.skf.com
Manufacturer Item Number	GEZ 200 ES-2RS
Weight / LBS	2.05
Outside Diameter	3.188 Inch 80.975 Millimeter
Bore	2 Inch 50.8 Millimeter
Housing Width	1.5 Inch 38.1 Millimeter
Overall Width	1.75 Inch 44.45 Millimeter
bore diameter:	2.0000 in
outer ring width:	1.5000 in
outside diameter:	3.1875 in
grade:	Commercial/Industrial
misalignment angle:	6 °
overall width:	1.7500 in
inner ring width:	1.7500 in
radial static load capacity:	150622 lbf
bearing type:	Radial
radial dynamic load capacity:	50357 lbf
lubrication type:	Requires Lubrication
operating temperature range:	-30 to +130 ° C ° F
closure type:	Sealed
weight:	2.05 lbs
outer ring material:	Chrome Steel
manufacturer product page:	Click here
inner ring material:	Chrome Steel
manufacturer upc number:	7316576612305
Lubricant	Regular relubrication – grease
Design (sliding contact surface combination)	Steel/steel
Sealing solution	Double-lip seals
	6 °



NTN-SNR BEARING RULMENTI S.R.L.

d_k	73.025 mm
b_1	5 mm
r_1 min.	0.6 mm
r_2 min.	1 mm
d_a min.	55.1 mm
d_a max.	57.9 mm
D_a min.	72.4 mm
D_a max.	75.9 mm
r_a max.	0.6 mm
r_b max.	1 mm
Basic dynamic load rating C	224 kN
Basic static load rating C_0	670 kN
Specific dynamic load factor K	100 N/mm ²
Specific static load factor K_0	300 N/mm ²
Material constant K_M	330
Mass plain bearing	0.93 kg