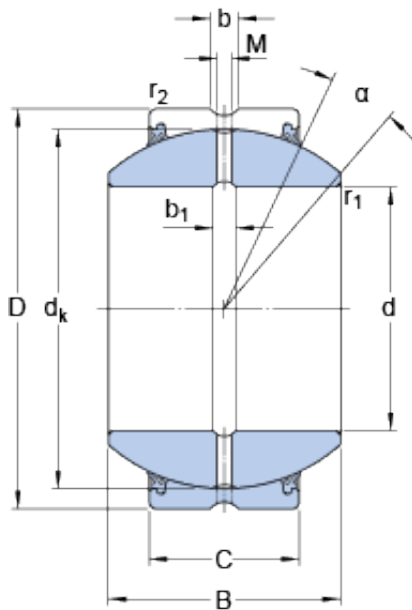




## NTN-SNR BEARING RULMENTI S.R.L.



GEZH 408 ES-2RS Bearing 2D drawings and 3D CAD models

114.3 mm x 196.85 mm x 119.126 mm skf  
GEZH 408 ES-2RS Radial spherical plain bearings

Bearing No. GEZH 408 ES-2RS

Size	196.85x114.3x119.126 mm
Bore Diameter	196,85 mm
Outer Diameter	114,3 mm
Width	119,126 mm
d	114.3 mm
D	196.85 mm
B	119.126 mm
C	95.25 mm
	9 °
d <sub>k</sub>	182.626 mm
b	11 mm
b <sub>1</sub>	10 mm
M	8 mm
r <sub>1</sub> - min.	2 mm
r <sub>2</sub> - min.	1.1 mm
d <sub>a</sub> - min.	126 mm
d <sub>a</sub> - max.	138.4 mm
D <sub>a</sub> - min.	175.5 mm
D <sub>a</sub> - max.	188.5 mm
r <sub>a</sub> - max.	2 mm
r <sub>b</sub> - max.	1.1 mm
Basic dynamic load rating - C	1400 kN
Basic static load rating - C <sub>0</sub>	4150 kN
Specific factor dinamic load - K	100 N/mm <sup>2</sup>



## NTN-SNR BEARING RULMENTI S.R.L.

Specific factor static load - $K_0$	300 N/mm <sup>2</sup>
Constant - $K_M$	330
Category	Spherical Plain Bearings - Radial
Inventory	0.0
Manufacturer Name	SKF
Minimum Buy Quantity	N/A
Weight / Kilogram	16.34
Product Group	B04264
Self Aligning	Yes
Rolling Element	Spherical Plain
Material - Outer Member	Steel
Material - Ball	Steel
Material - Liner	Not Applicable
Relubricatable	Yes
Enclosure	2 Seals
Other Features	2 Piece   Larger Tilt Angle   Double Lip Seals   Lubrication Hole and an Annular Groove in Both Rings
Long Description	4-1/2" Bore; 3-3/4" Housing Width; 7-3/4" Outside Diameter; Steel Outer Member; Steel Ball; No Liner; 4.69" Overall Width; Relubricatable
Inch - Metric	Inch
Category	Plain Bearings Spherical Radial
UNSPSC	31171515
Harmonized Tariff Code	8483.30.80.70
Noun	Bearing
Keyword 3	Spherical



## NTN-SNR BEARING RULMENTI S.R.L.

Keyword String	Plain Spherical Radial
Manufacturer URL	<a href="http://www.skf.com">http://www.skf.com</a>
Manufacturer Item Number	GEZH 408 ES-2RS
Weight / LBS	36
Outside Diameter	7.75 Inch   196.85 Millimeter
Bore	4.5 Inch   114.3 Millimeter
Overall Width	4.69 Inch   119.126 Millimeter
Housing Width	3.75 Inch   95.25 Millimeter
Lubricant	Regular relubrication – grease
Design (sliding contact surface combination)	Steel/steel
Sealing solution	Double-lip seals
	9 °
$d_k$	182.626 mm
$b_1$	10 mm
$r_1$ min.	2 mm
$r_2$ min.	1.1 mm
$d_a$ min.	126 mm
$d_a$ max.	138.4 mm
$D_a$ min.	175.5 mm
$D_a$ max.	188.5 mm
$r_a$ max.	2 mm
$r_b$ max.	1.1 mm
Basic dynamic load rating C	1400 kN
Basic static load rating $C_0$	4150 kN
Specific dynamic load factor K	100 N/mm <sup>2</sup>
Specific static load factor $K_0$	300 N/mm <sup>2</sup>
Material constant $K_M$	330
Mass plain bearing	16.5 kg