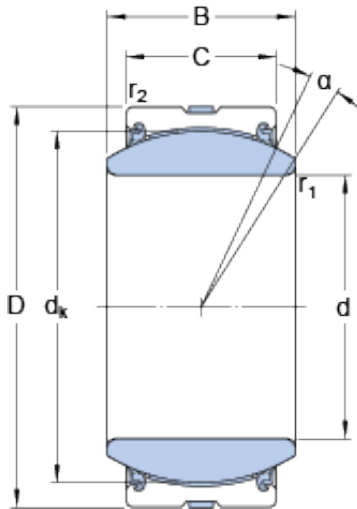




NTN-SNR BEARING RULMENTI S.R.L.



GE 180 TXG3A-2LS Bearing 2D drawings and 3D CAD models

180 mm x 260 mm x 105 mm skf GE 180 TXG3A-2LS Radial spherical plain bearings

Bearing No. GE 180 TXG3A-2LS

Size	260x180x105 mm
Bore Diameter	260 mm
Outer Diameter	180 mm
Width	105 mm
d	180 mm
D	260 mm
B	105 mm
C	80 mm
	6 °
dk	225 mm
r ₁ - min.	1.1 mm
r ₂ - min.	1.1 mm
d _a - min.	191 mm
d _a - max.	199 mm
D _a - min.	224.5 mm
D _a - max.	250 mm
r _a - max.	1 mm
r _b - max.	1 mm
Basic dynamic load rating - C	4300 kN
Basic static load rating - C ₀	7200 kN
Specific factor dinamic load - K	300 N/mm ²
Specific factor static load - K ₀	500 N/mm ²
Lubricant	Maintenance free – dry



NTN-SNR BEARING RULMENTI S.R.L.

	Lubrication
Design (sliding contact surface combination)	Steel/PTFE fabric
Sealing solution	Triple-lip seals
	6 °
d_k	225 mm
r_1 min.	1.1 mm
r_2 min.	1.1 mm
d_a min.	191 mm
d_a max.	199 mm
D_a min.	224.5 mm
D_a max.	250 mm
r_a max.	1 mm
r_b max.	1 mm
Basic dynamic load rating C	4300 kN
Basic static load rating C_0	7200 kN
Specific dynamic load factor K	300 N/mm ²
Specific static load factor K_0	500 N/mm ²
Mass plain bearing	18.5 kg