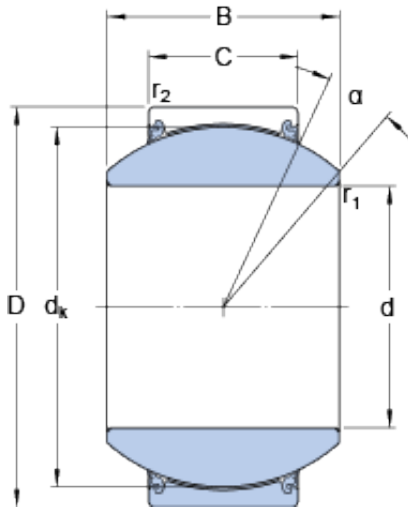




NTN-SNR BEARING RULMENTI S.R.L.



70 mm x 120 mm x 70 mm skf GEH 70
TXE-2LS Radial spherical plain bearings

Bearing No. GEH 70 TXE-2LS

GEH 70 TXE-2LS Bearing 2D drawings and 3D CAD models

Size	120x70x70 mm
Bore Diameter	120 mm
Outer Diameter	70 mm
Width	70 mm
d	70 mm
D	120 mm
B	70 mm
C	45 mm
	16 °
d _k	105 mm
r ₁ - min.	1 mm
r ₂ - min.	1 mm
d _a - min.	77.8 mm
d _a - max.	78.2 mm
D _a - min.	105 mm
D _a - max.	113 mm
r _a - max.	1 mm
r _b - max.	1 mm
Basic dynamic load rating - C	1140 kN
Basic static load rating - C ₀	1900 kN
Specific factor dynamic load - K	300 N/mm ²
Specific factor static load - K ₀	500 N/mm ²
Category	Spherical Plain Bearings -



NTN-SNR BEARING RULMENTI S.R.L.

	Radial
Inventory	0.0
Manufacturer Name	SKF
Minimum Buy Quantity	N/A
Weight / Kilogram	2.99
Product Group	B04264
Self Aligning	Yes
Rolling Element	Spherical Plain
Material - Outer Member	Steel
Material - Ball	Steel
Material - Liner	Teflon
Relubricatable	No
Enclosure	2 Seals
Other Features	2 Piece Wide Inner Ring Chrome Plated Ball Self Lubricating Triple Lip Heavy Duty Seals
Long Description	70MM Bore; 45MM Housing Width; 120MM Outside Diameter; Spherical Plain; Steel Outer Member; Steel Ball; Teflon Liner; 70MM Overall Width; Not Relubricatable
Inch - Metric	Metric
Category	Plain Bearings Spherical Radial
UNSPSC	31171515
Harmonized Tariff Code	8483.30.80.70
Noun	Bearing
Keyword 3	Spherical
Keyword String	Plain Spherical Radial
Manufacturer URL	http://www.skf.com
Manufacturer Item Number	GEH 70 TXE-2LS
Weight / LBS	6.592



NTN-SNR BEARING RULMENTI S.R.L.

Housing Width	1.772 Inch 45 Millimeter
Bore	2.756 Inch 70 Millimeter
Outside Diameter	4.724 Inch 120 Millimeter
Overall Width	2.756 Inch 70 Millimeter
Lubricant	Maintenance free – dry lubrication
Design (sliding contact surface combination)	Steel/PTFE fabric
Sealing solution	Triple-lip seals
	16 °
d_k	105 mm
r_1 min.	1 mm
r_2 min.	1 mm
d_a min.	77.8 mm
d_a max.	78.2 mm
D_a min.	105 mm
D_a max.	113 mm
r_a max.	1 mm
r_b max.	1 mm
Basic dynamic load rating C	1140 kN
Basic static load rating C_0	1900 kN
Specific dynamic load factor K	300 N/mm ²
Specific static load factor K_0	500 N/mm ²
Mass plain bearing	2.99 kg