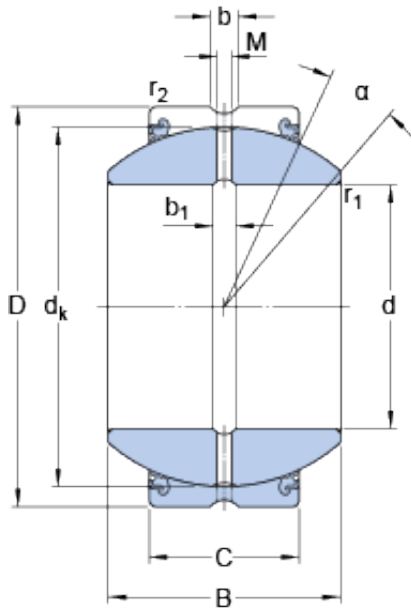




NTN-SNR BEARING RULMENTI S.R.L.



GEZH 308 ESX-2LS Bearing 2D drawings and 3D CAD models

88.9 mm x 149.225 mm x 90.424 mm skf GEZH 308 ESX-2LS Radial spherical plain bearings

Bearing No. GEZH 308 ESX-2LS

Size	149.225x88.9x90.424 mm
Bore Diameter	149,225 mm
Outer Diameter	88,9 mm
Width	90,424 mm
d	88.9 mm
D	149.225 mm
B	90.424 mm
C	71.425 mm
	9 °
d _k	136.906 mm
b	10.5 mm
b ₁	8 mm
M	6.5 mm
r ₁ - min.	2 mm
r ₂ - min.	1 mm
d _a - min.	99.3 mm
d _a - max.	102.5 mm
D _a - min.	131.4 mm
D _a - max.	143.1 mm
r _a - max.	2 mm
r _b - max.	1 mm
Basic dynamic load rating - C	1180 kN
Basic static load rating - C ₀	2360 kN
Specific factor dinamic load - K	150 N/mm ²



NTN-SNR BEARING RULMENTI S.R.L.

Specific factor static load - K_0	300 N/mm ²
Constant - K_M	330
Lubricant	Maintenance free – greased for life
Design (sliding contact surface combination)	Steel/steel
Sealing solution	Triple-lip seals
	9 °
d_k	136.906 mm
b_1	8 mm
r_1 min.	2 mm
r_2 min.	1 mm
d_a min.	99.3 mm
d_a max.	102.5 mm
D_a min.	131.4 mm
D_a max.	143.1 mm
r_a max.	2 mm
r_b max.	1 mm
Basic dynamic load rating C	1180 kN
Basic static load rating C_0	2360 kN
Specific dynamic load factor K	150 N/mm ²
Specific static load factor K_0	300 N/mm ²
Material constant K_M	330
Mass plain bearing	6.8 kg