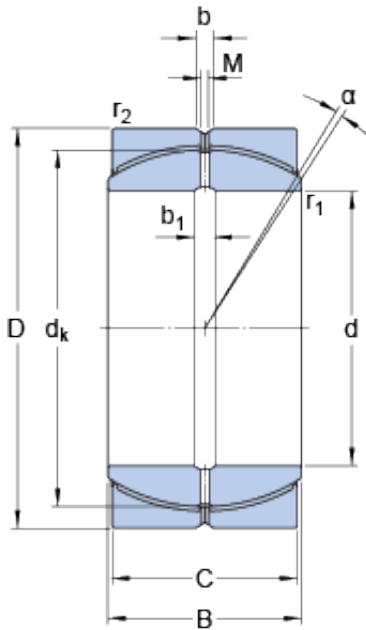




# NTN-SNR BEARING RULMENTI S.R.L.



GEP 950 FS Bearing 2D drawings and 3D CAD models

950 mm x 1360 mm x 670 mm skf GEP 950 FS  
Radial spherical plain bearings

Bearing No. GEP 950 FS

Size	1360x950x670 mm
Bore Diameter	1360 mm
Outer Diameter	950 mm
Width	670 mm
d	950 mm
D	1360 mm
B	670 mm
C	635 mm
	2 °
d <sub>k</sub>	1242 mm
b	40 mm
b <sub>1</sub>	40 mm
M	15 mm
r <sub>1</sub> - min.	4 mm
r <sub>2</sub> - min.	7.5 mm
d <sub>a</sub> - min.	993 mm
d <sub>a</sub> - max.	1045 mm
D <sub>a</sub> - min.	1156 mm
D <sub>a</sub> - max.	1290 mm
r <sub>a</sub> - max.	4 mm
r <sub>b</sub> - max.	7.5 mm
Basic dynamic load rating - C	56000 kN
Basic static load rating - C <sub>0</sub>	85000 kN
Specific factor dinamic load - K	80 N/mm <sup>2</sup>



## NTN-SNR BEARING RULMENTI S.R.L.

Specific factor static load - $K_0$	120 N/mm <sup>2</sup>
Constant - $K_M$	1055
Lubricant	Maintenance free – dry lubrication
Design (sliding contact surface combination)	Steel/PTFE FRP
Sealing solution	-
	2 °
$d_k$	1242 mm
$b_1$	40 mm
$r_1$ min.	4 mm
$r_2$ min.	7.5 mm
$d_a$ min.	993 mm
$d_a$ max.	1045 mm
$D_a$ min.	1156 mm
$D_a$ max.	1290 mm
$r_a$ max.	4 mm
$r_b$ max.	7.5 mm
Basic dynamic load rating C	56000 kN
Basic static load rating $C_0$	85000 kN
Specific dynamic load factor K	80 N/mm <sup>2</sup>
Specific static load factor $K_0$	120 N/mm <sup>2</sup>
Material constant $K_M$	1055
Mass plain bearing	3620 kg