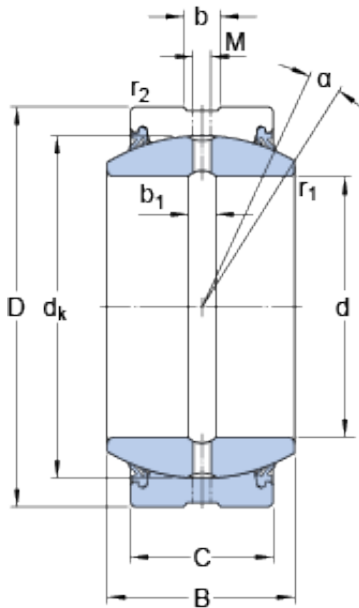




# NTN-SNR BEARING RULMENTI S.R.L.



GE 110 ES-2RS Bearing 2D drawings and 3D CAD models

110 mm x 160 mm x 70 mm skf GE 110 ES-2RS  
Radial spherical plain bearings

Bearing No. GE 110 ES-2RS

Size	160x110x70 mm
Bore Diameter	160 mm
Outer Diameter	110 mm
Width	70 mm
d	110 mm
D	160 mm
B	70 mm
C	55 mm
	6 °
d <sub>k</sub>	140 mm
b	11.5 mm
b <sub>1</sub>	11.5 mm
M	5 mm
r <sub>1</sub> - min.	1 mm
r <sub>2</sub> - min.	1 mm
d <sub>a</sub> - min.	118 mm
d <sub>a</sub> - max.	121 mm
D <sub>a</sub> - min.	141.5 mm
D <sub>a</sub> - max.	153 mm
r <sub>a</sub> - max.	1 mm
r <sub>b</sub> - max.	1 mm
Basic dynamic load rating - C	655 kN
Basic static load rating - C <sub>0</sub>	3250 kN
Specific factor dinamic load - K	100 N/mm <sup>2</sup>



## NTN-SNR BEARING RULMENTI S.R.L.

Specific factor static load - $K_0$	500 N/mm <sup>2</sup>
Constant - $K_M$	330
Category	Spherical Plain Bearings - Radial
Inventory	0.0
Manufacturer Name	SKF
Minimum Buy Quantity	N/A
Weight / Kilogram	4.8
Product Group	B04286
Self Aligning	Yes
Rolling Element	Spherical Plain
Material - Outer Member	Steel
Material - Ball	Steel
Material - Liner	Not Applicable
Relubricatable	Yes
Enclosure	2 Seals
Other Features	2 Piece   Double Lip Seals   Lubrication Hole and an Annular Groove in Both Rings
Long Description	110MM Bore; 55MM Housing Width; 160MM Outside Diameter; Spherical Plain; Steel Outer Member; Steel Ball; No Liner; 70MM Overall Width; Relubricatable
Inch - Metric	Metric
Category	Plain Bearings Spherical Radial
UNSPSC	31171515
Harmonized Tariff Code	8483.30.80.70
Noun	Bearing
Keyword 3	Spherical



## NTN-SNR BEARING RULMENTI S.R.L.

Keyword String	Plain Spherical Radial
Manufacturer URL	<a href="http://www.skf.com">http://www.skf.com</a>
Manufacturer Item Number	GE 110 ES-2RS
Weight / LBS	10.582
Housing Width	2.165 Inch   55 Millimeter
Outside Diameter	6.299 Inch   160 Millimeter
Bore	4.331 Inch   110 Millimeter
Overall Width	2.756 Inch   70 Millimeter
bore diameter:	110 mm
inner ring material:	Chrome Steel
outside diameter:	160 mm
outer ring width:	55 mm
misalignment angle:	6 °
grade:	Commercial/Industrial
inner ring width:	70 mm
radial static load capacity:	3250 kN
bearing type:	Radial
radial dynamic load capacity:	655 kN
lubrication type:	Requires Lubrication
operating temperature range:	-30 to +130 ° C ° F
closure type:	Sealed
overall width:	70 mm
outer ring material:	Chrome Steel
manufacturer upc number:	7316576609534
Lubricant	Regular relubrication – grease
Design (sliding contact surface combination)	Steel/steel
Sealing solution	Double-lip seals
	6 °
d <sub>k</sub>	140 mm



## NTN-SNR BEARING RULMENTI S.R.L.

$b_1$	11.5 mm
$r_1$ min.	1 mm
$r_2$ min.	1 mm
$d_a$ min.	118 mm
$d_a$ max.	121 mm
$D_a$ min.	141.5 mm
$D_a$ max.	153 mm
$r_a$ max.	1 mm
$r_b$ max.	1 mm
Basic dynamic load rating C	655 kN
Basic static load rating $C_0$	3250 kN
Specific dynamic load factor K	100 N/mm <sup>2</sup>
Specific static load factor $K_0$	500 N/mm <sup>2</sup>
Material constant $K_M$	330
Mass plain bearing	4.8 kg